

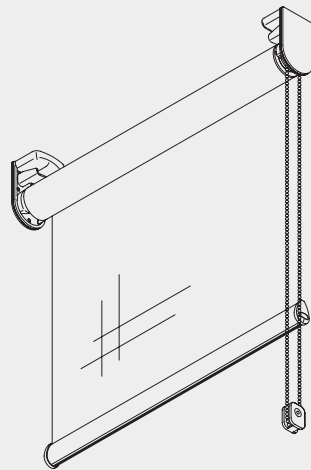
Roller Blind Systems





Chain Operated Roller Blind System

Silent Gliss® 4830



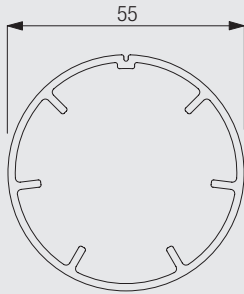
Product Information

- Medium/medium-heavy duty chain operated roller blind system, ideal for contract applications
- Thanks to the unique planetary gear, the operation is smooth and light and the blind stops instantly with no slippage
- The system can be used as single or as a side by side (linked) system with one chain, using a connection snap-in bracket for easy fitting from below
- The system (single) can be used up to a maximum width of 3.30 m, a maximum drop of 4 m or a maximum surface of 10 sqm
- As connected system, the maximum dimensions are for the width 6.60 m, the drop 4 m and the maximum surface the same as for the single system, 10 sqm
- The maximum load should not exceed for both, single as well as connected (side by side) systems, a maximum weight of 7 kg
- Wall, ceiling or recess fitting. Special features like adjustable stainless steel brackets for easy vertical adjustment of fabric or pre-fitted hook-in stainless steel plates, which take the weight of the blind whilst the fitters carry out final positioning offer new comfort and precision to the fitting
- Over-roll protection stop and bracket covers round-up the elegant and finished design of this extraordinary blind system
- Supplied ready assembled, made-to-measure with fabric. Large and attractive fabric offer
- Double system option allows two blinds to be mounted in parallel on the same set of brackets - ideal when sheer and dim-out shading is required at same window



4830

Profile and Specification Information



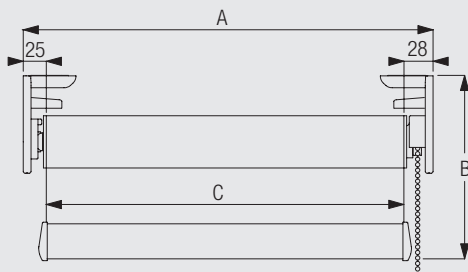
4701

Specification Guide - download from www.silentgliss.co.uk (password required).

Silent Gliss chain operated roller blind system for medium to medium/heavy weight fabric applications with unique planetary gear with integrated brake to ensure smooth operation and exact stopping with no slippage. Fixed to wall/ceiling/inside recess with 4707 bracket set with top and side covers to ensure neat appearance. 4714 hook in plates to be used for easy on-site installation. Optional side guide wires and aluminium fascia with rubber lip available to ensure no light gap at ceiling. Side by side system 4830 can be operated simultaneously by one chain, fitted with 4708 (wall)/4709 (ceiling) centre support brackets. Double system optional with brackets 4969/4971.

How to Measure

Single system



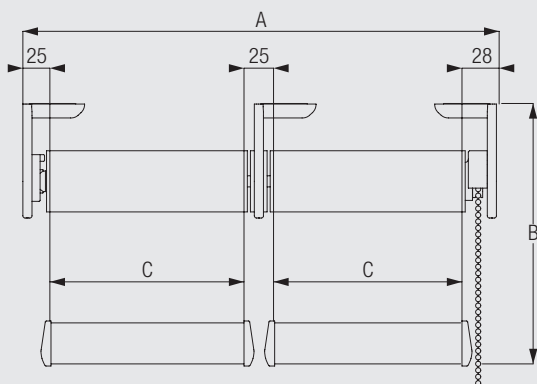
A: system width
B: system drop
C: fabric width

Attention: when installing the blind without bracket covers left and right, the total system width will be reduced by 6mm (2 x 3mm).



4830

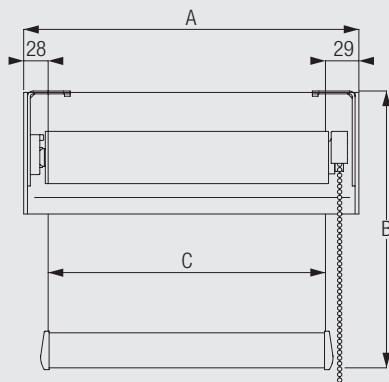
Side by side system (linked)



A: system width
B: system drop
C: fabric width

Attention: when installing the blind without bracket covers left and right, the total system width will be reduced by 6mm (2 x 3mm).

System with fascia 4702



A: system width (= standard width + 8mm)
 B: system drop
 C: fabric width

System Dimensions



Single system: 3.30m
 Side by system (linked):
 6.60m



50cm



4m



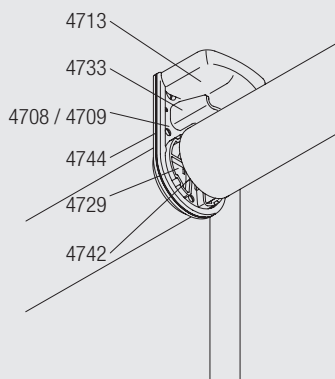
Single system: 10sqm
 Side by side system
 (linked): 10sqm



Single system: 7kg
 Side by side system
 (linked): 7kg

System Options

Side by side (linked) systems with connection bracket 4708 (face fix) and 4709 (top fix)

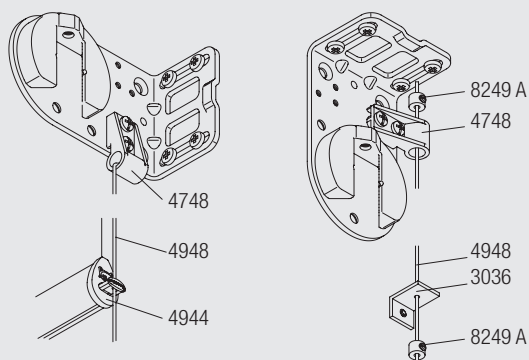


4708 Connection bracket for wall fixing
 4709 Connection bracket for ceiling fixing
 4713 Bracket cover
 4729 Connection flange (x2)
 4733 Endstop
 4742 Connection adapter (x2)
 4744 Connection bracket cover



4830

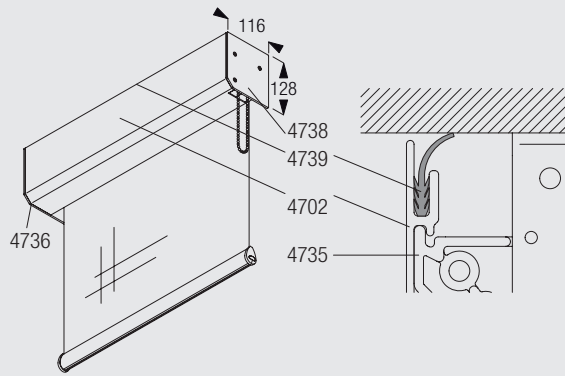
Side guides for stabilising blind systems and sloped applications (up to 15° incline)



8249A Fastener
 4944 Endcover
 4948 Wire rope (1.5mm)
 4748 Holder
 3036 Bracket

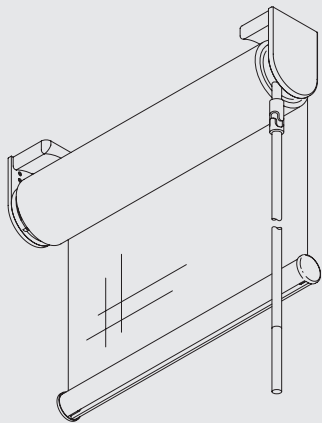
The bracket 3134 (with cover 3133) can be used as an alternative for 3036 to allow greater clearance.

Fascia cover 4702 for system 4830

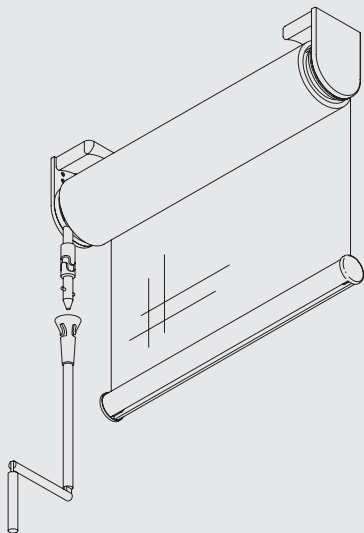


- 4702 Profile
- 4739 Seal (optional)
- 4736 Cover left
- 4738 Cover right
- 4735 Fascia holder (x2)

Crank operation for system 4830



With fixed crank 2747



With detachable crank 2746

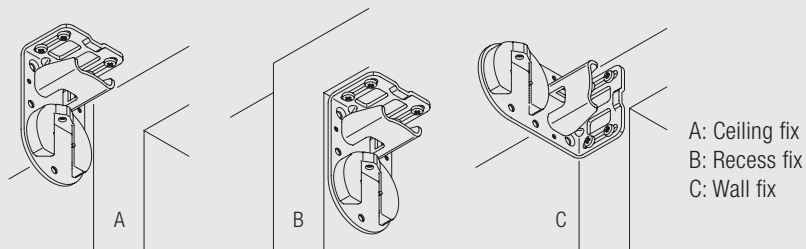


Fitting Information

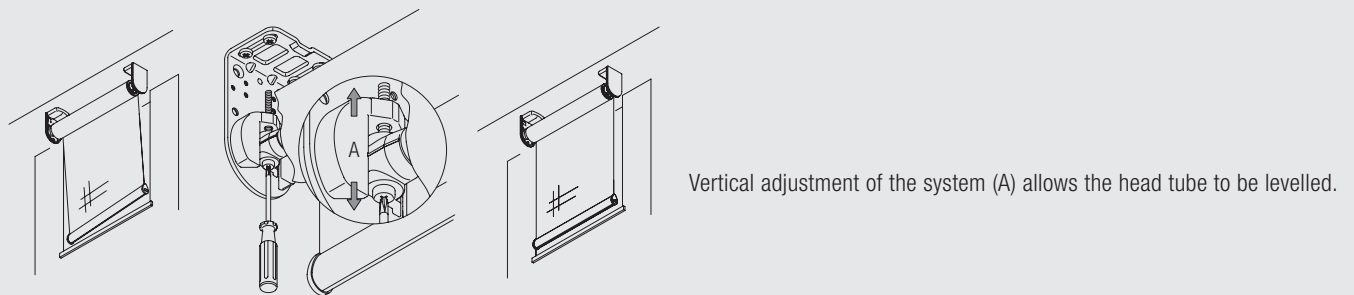
WARNING

Young children can be strangled by loops in pullcords, chains, tapes and inner cords that operate the product. To avoid strangulation and entanglement, keep cords out of the reach of young children. Cords may become wrapped around a child's neck. Move beds, cots and furniture away from window covering cords. Do not tie cords together. Make sure cords do not twist to create a loop.

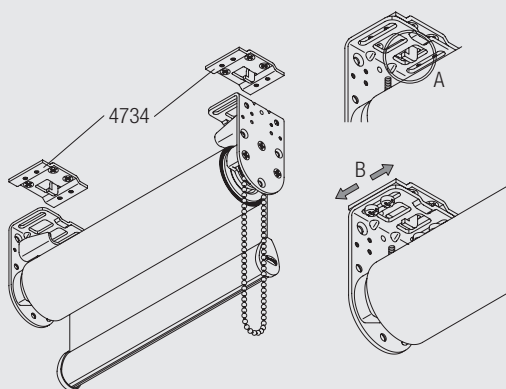
Bracket positioning and basic fitting features



Adjustable stainless steel bracket set (for vertical adjustments)



Hook-in installation plates



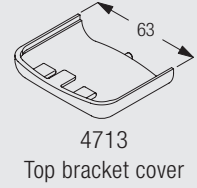
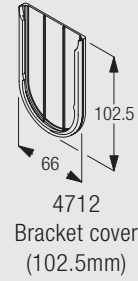
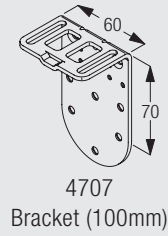
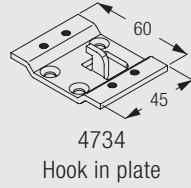
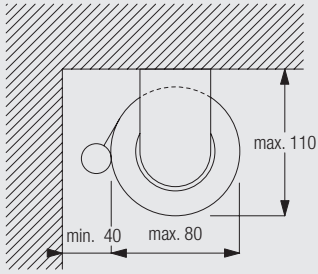
The brackets can be laterally adjusted by up to 15mm.

Pre-fitted hook-in plates (A) take the weight of the blind whilst adjusting the final positioning of the brackets.

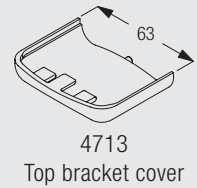
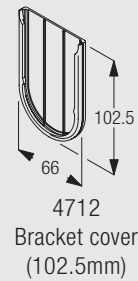
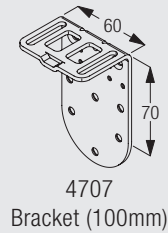
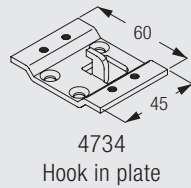
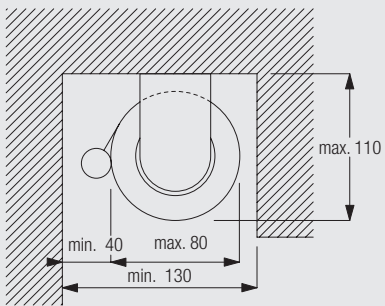


4830

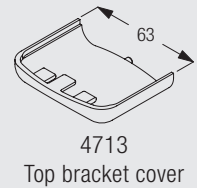
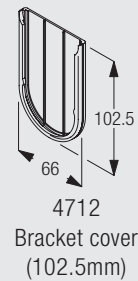
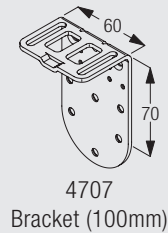
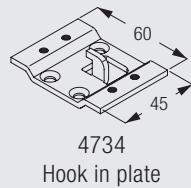
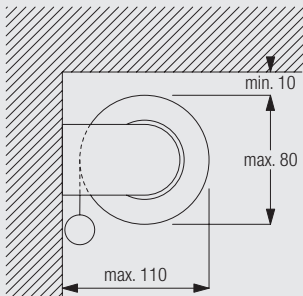
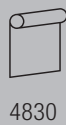
Ceiling fix



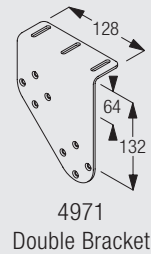
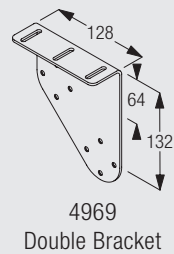
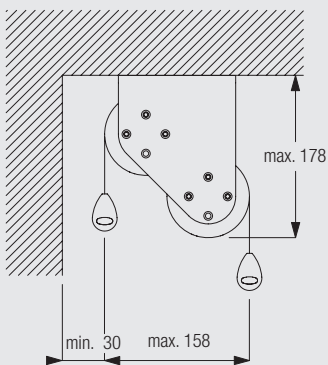
Recess fix



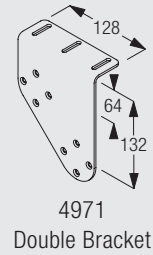
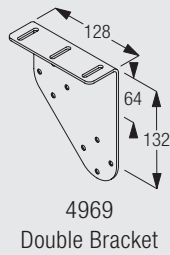
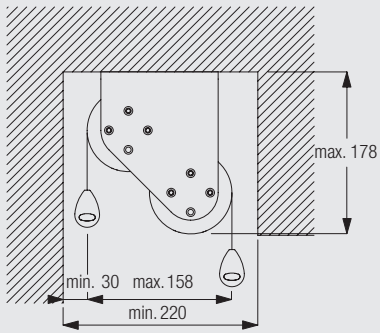
Wall fix



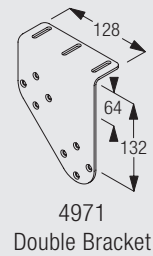
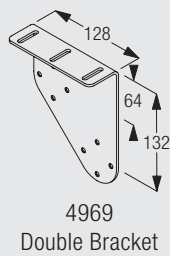
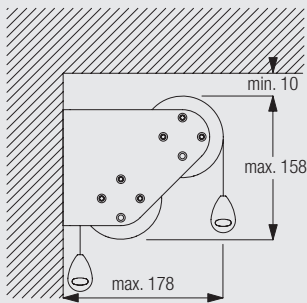
Ceiling fix with double brackets 4969 and 4971








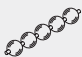

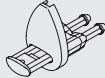

Recess fix with double brackets 4969 and 4971



Wall fix with double brackets 4969 and 4971





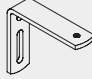





Standard Accessories

| | | | | | |
|-------|-------------------------|---|------|-------------------------|---|
| 4701 | Profile |  | 4707 | Bracket (100mm) |  |
| 4712 | Bracket cover (102.5mm) |  | 4713 | Top bracket cover |  |
| 4734 | Hook in plate |  | 4845 | Metal bead chain |  |
| 4903 | Bottom bar |  | 4944 | Bottom bar endcover set |  |
| 10400 | Safety Cord Retainer |  | | | |

4830

Optional Accessories

| | | | | | |
|------|--------------------------|---|------|--|---|
| 2746 | Detachable crank handle |  | 2747 | Fixed crank handle |  |
| 3036 | Bracket (47mm) |  | 3133 | Bracket cover (60mm) |  |
| 3134 | Extension bracket (60mm) |  | 3799 | Cord Tidy |  |
| 4702 | Profile (fascia) |  | 4708 | Connection bracket double system (100mm wall fixing) |  |

| | | |
|-------|--|--|
| 4709 | Connection bracket double system (100mm ceiling fixing) | |
| 4736 | Cover left (fascia) | |
| 4739 | Seal (fascia) | |
| 4748 | Holder | |
| 4969 | Double Bracket | |
| 8249A | Fastener | |

| | | |
|------|--------------------------|--|
| 4735 | Holder (fascia) | |
| 4738 | Cover right (fascia) | |
| 4744 | Connection bracket cover | |
| 4948 | Wire rope (ø 1,5mm) | |
| 4971 | Double Bracket | |



4830



4830

www.silentgliss.co.uk

www.silentglissglobal.com

Silent Gliss Ltd
Pyramid Business Park
Poorhole Lane
Broadstairs
Kent
CT10 2PT
Great Britain

Tel: +44 (0) 1843 863571
Fax: +44 (0) 1843 864503
info@silentgliss.co.uk

Silent Gliss Global Ltd
Pyramid Business Park
Poorhole Lane
Broadstairs
Kent
CT10 2PT
Great Britain

Tel: +44 (0) 1843 874250
Fax: +44 (0) 1843 874457
info@silentglissglobal.com