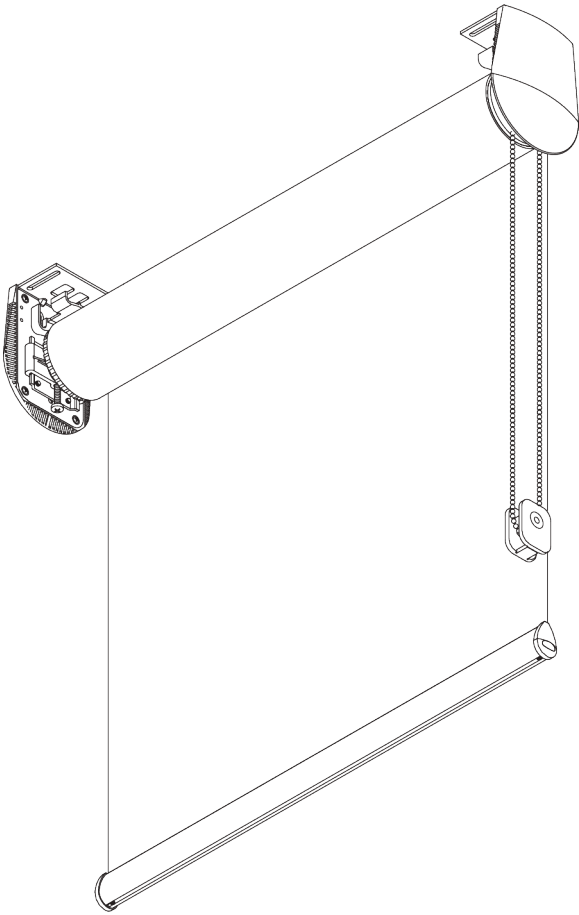
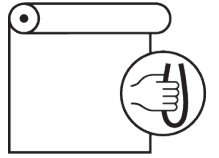


# SG 4840

---



## PRODUCT INFORMATION

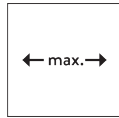
- **Operation:** chain
- **Range:** L
- **Fitting:** ceiling, wall, recess
- **Colours:** white RAL 9016; special colours or anodised aluminum possible
- **Fabrics:** refer to Silent Gliss fabric collection

### **Features:**

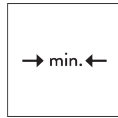
- Stainless steel bead chain
- Stainless steel brackets, adjustable for vertical alignment of fabric

# SYSTEM SPECIFICATIONS

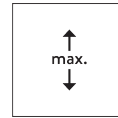
## A. SYSTEM DIMENSIONS



Tube SG 4957: 5 m  
Tube SG 4901: 4 m



50 cm



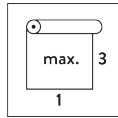
Tube SG 4957: 3.75 m  
Tube SG 4901: 6 m



15 m<sup>2</sup>



Tube SG 4957: 9.5 kg  
Tube SG 4901: 12.5 kg



Recommended width /  
height ratio  
max. 1:3

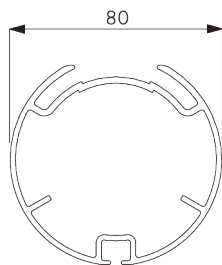
## Maximum surface area

		A →								
		2 m	2.5 m	3 m	3.5 m	4 m	4.5 m	5 m		
B ↓	2 m	●	●	●	●	○	○	○		
	2.5 m	●	●	●	●	○	○	○		
	3 m	●	●	●	●	○	○	○		
	3.5 m	●	●	●	●	○				
	4 m	●	●	●	●					
	4.5 m	●	●	●						
	5 m	●	●	●						
	5.5 m	●	●		max. 15 m <sup>2</sup>					
6 m	●	●								

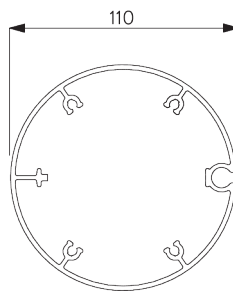
● SG 4901 (ø 80 mm)  
○ SG 4957 (ø 110 mm)

## B. PROFILE

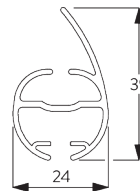
### Profile information



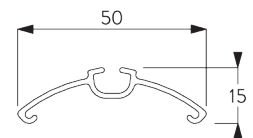
**SG 4901**  
Tube ø 80 mm



**SG 4957**  
Tube ø 110 mm



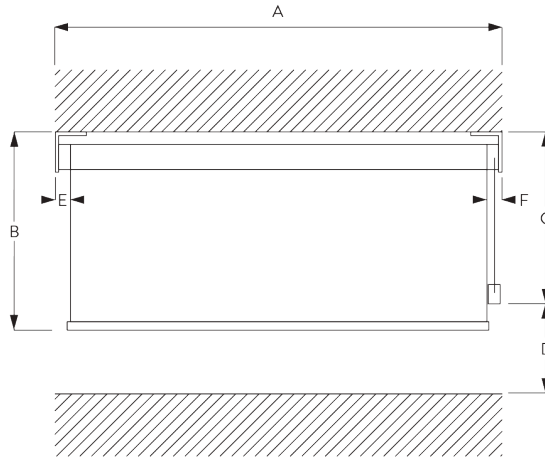
**SG 4903**  
Bottom bar



**SG 4902**  
Profile

**C. HOW TO  
MEASURE**

*incl. bracket covers  
(15 mm)*



A: System width  
B: System height  
C: Chain height  
D: Safety Retainer SG 10731 min. 150 cm above floor

Tube SG 4901 (ø 80 mm):  
E: Light gap: 44 mm  
F: Light gap operation side: 40 mm

Tube SG 4957 (ø 110 mm):  
E: Light gap: 42 mm  
F: Light gap operation side: 42 mm

Note:  
All measurements include 15 mm for bracket cover per side!  
These can be omitted to reduce side light gaps.

**D. SPECIFICATION  
TEXT**

*Silent Gliss SG 4840 chain operated roller blind system for very heavy duty applications. Assembled complete with anodised aluminium headrail. Smooth light operation thanks to the planetary gear and no slippage due to the integrated brake. Incorporates Silent Gliss patented Quick Twist for easy on-site adjustment of the headrail to prevent fabric roll off. Fix to wall/ceiling/inside recess with stainless steel bracket combination set 4944 incorporating hook on plates to take weight of blind during installation. Optional bracket covers. Fabrics to be selected from Silent Gliss range.*

**FITTING**

**A. FITTING  
INFORMATION**

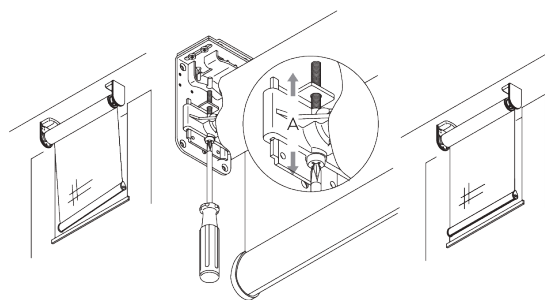
*For detailed fitting information, visit the Silent Gliss website.*

**Fixing points**



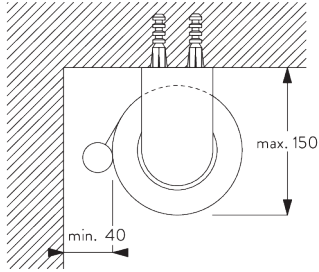
\*30 mm without cover  
\*43 mm with cover

**Adjustable brackets  
(for vertical  
adjustments)**

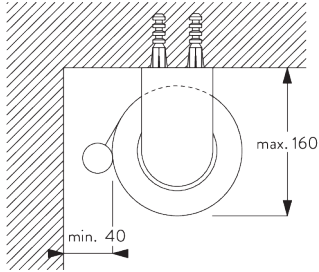


*Vertical adjustment of fabric to the window frame.*

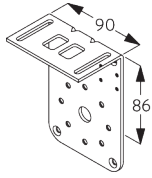
## B. CEILING FITTING



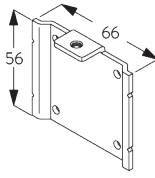
Tube SG 4901 (ø 80 mm)



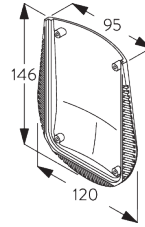
Tube SG 4957 (ø 110 mm)



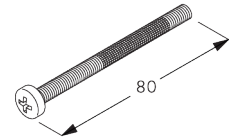
**SG 4904**  
Bracket (set SG 4949)



**SG 4906**  
Plate (set SG 4949)

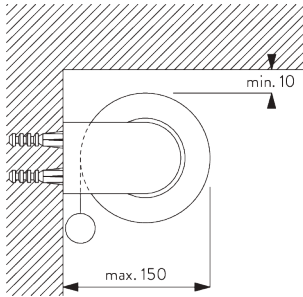


**SG 4956**  
Bracket cover

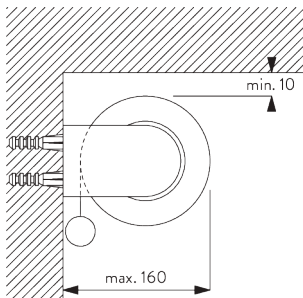


**SG 4966**  
Special screw (set SG 4949)

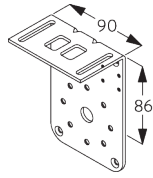
## C. WALL FITTING



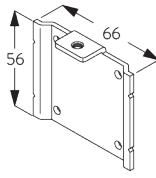
Tube SG 4901 (ø 80 mm)



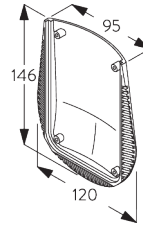
Tube SG 4957 (ø 110 mm)



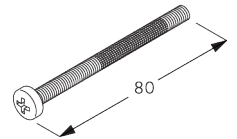
**SG 4904**  
Bracket (set SG 4949)



**SG 4906**  
Plate (set SG 4949)

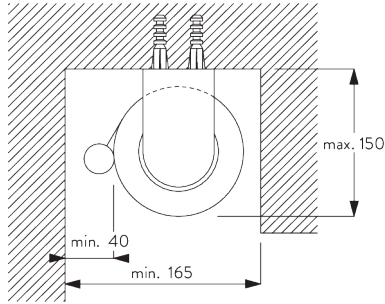


**SG 4956**  
Bracket cover

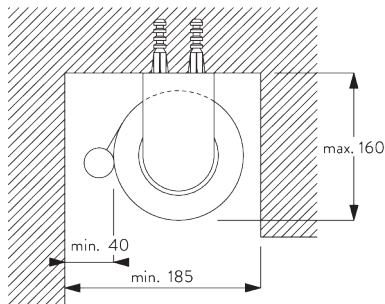


**SG 4966**  
Special screw (set SG 4949)

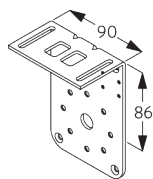
**D. RECESS FITTING**



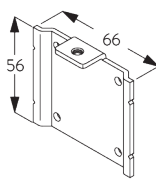
Tube SG 4901 (ø 80 mm)



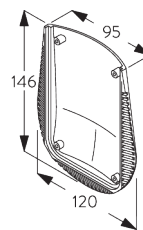
Tube SG 4957 (ø 110 mm)



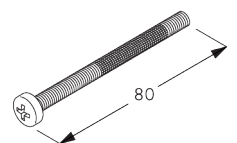
**SG 4904**  
Bracket (set SG 4949)



**SG 4906**  
Plate (set SG 4949)

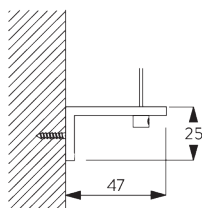


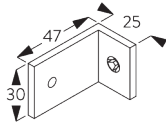
**SG 4956**  
Bracket cover



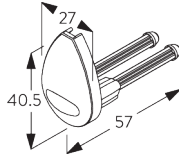
**SG 4966**  
Special screw (set SG 4949)

**E. FITTING WITH  
SIDE GUIDE  
OPTION**

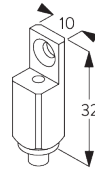




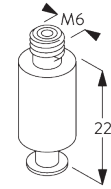
**SG 3036**  
Bracket 47 mm



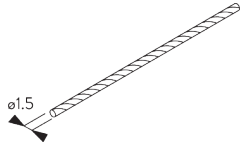
**SG 4944**  
Side guide end cover



**SG 4946**  
Side guide wire rope fastener



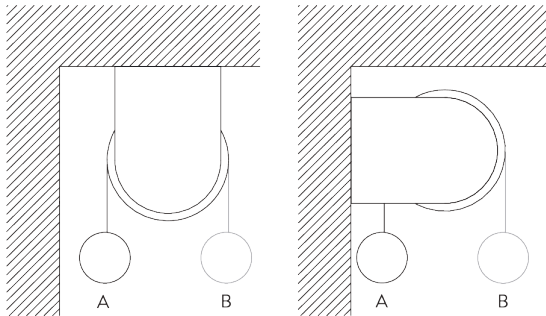
**SG 4947**  
Side guide wire rope fastener



**SG 4948**  
Side guide wire  $\phi$  1.5 mm

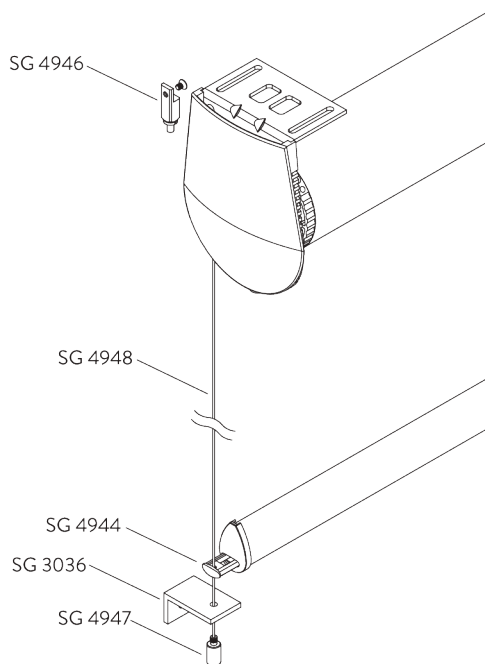
## SYSTEM OPTIONS

### A. FABRIC ROLL-OFF



A: Fabric roll-off window side (standard)  
B: Fabric roll-off room side (option)

### B. SIDE GUIDES



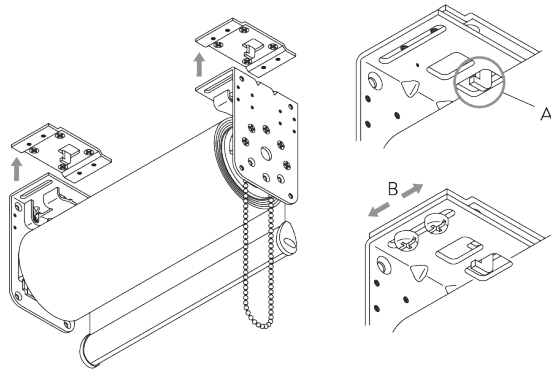
#### Additional parts:

- 2x SG 3036 Bracket 47 mm
- 2x SG 4944 Side guide end cover
- 2x SG 4946 Side guide wire rope fastener
- 2x SG 4947 Side guide wire rope fastener
- 2x SG 4948 Side guide wire  $\phi$  1.5 mm

#### Note:

- Light gaps increase when side-guide option is used
- Up to 15° from vertical

### **C. HOOK-IN INSTALLATION PLATES**



A: Hook-in plates SG 4972 take the weight of the blind  
B: Brackets sideways adjustable by up to 18 mm

## **GENERAL NOTES**

### **Dimensions**

- Measurements are in mm except where indicated.
- Max. kg relates to fabric incl. accessories (bottom bars, etc.).

### **Fitting**


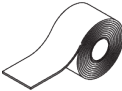




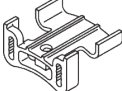

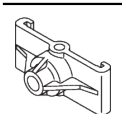
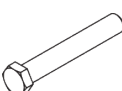
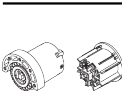
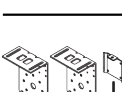
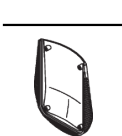
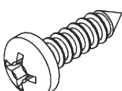
- Installation by qualified fitter only.
- Number of brackets and fitting positions / fixing points vary depending on fitting surface, system weight, fabric make-up, screw / fixing type and obstacles.
- Qualified fitter must use appropriate screws / fixings for each situation.
- Profile lip if applicable to be installed to room side.
- Electrical installations must be carried out according to Silent Gliss wiring diagrams and conform to local regulations.
- Check space for cables and plugs!

### **Child Safety**

- All relevant Silent Gliss systems correspond to child safety EN 13120.
- All parties involved must comply with EN 13120.

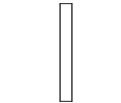
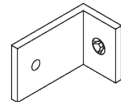
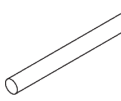
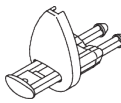
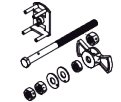
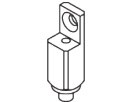


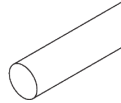
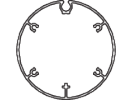
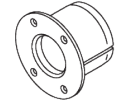
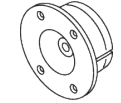
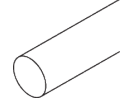
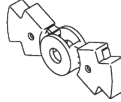
# PARTS

## A. STANDARD PARTS

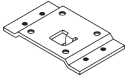
	<b>SG 4223</b> PVC strip 14 mm
	<b>SG 4226</b> Double tape 30 mm
	<b>SG 4845</b> Bead chain metal ø 4.5 mm
	<b>SG 4901</b> Tube ø 80 mm
	<b>SG 4902</b> Profile
	<b>SG 4903</b> Bottom bar
	<b>SG 4908</b> End stop
	<b>SG 4914</b> Tube adapter
	<b>SG 4915</b> Support
	<b>SG 4939</b> Shaft
	<b>SG 4941</b> Chain drive set
	<b>SG 4949</b> Bracket set
	<b>SG 4956</b> Bracket cover
	<b>SG 10503</b> Pan head screw 3.5x13

	<b>SG 10505</b> Pan head screw Freedrive M4x8
	<b>SG 10507</b> Pan head screw 3.5x6.5
	<b>SG 10509</b> Countersunk head screw M5x8
	<b>SG 10731</b> Child safety retainer set
	<b>SG 11178</b> End cover

## B. OPTIONAL PARTS

	<b>SG 2006</b> Bottom bar 28x3 mm
	<b>SG 3036</b> Bracket 47 mm
	<b>SG 4943</b> Rod ø 4 mm
	<b>SG 4944</b> Side guide end cover
	<b>SG 4945</b> End stop set
	<b>SG 4946</b> Side guide wire rope fastener
	<b>SG 4947</b> Side guide wire rope fastener
	<b>SG 4948</b> Side guide wire ø 1.5 mm
	<b>SG 4951</b> Bottom weight ø 8 mm
	<b>SG 4957</b> Tube ø 110 mm
	<b>SG 4958</b> Tube adapter
	<b>SG 4961</b> Tube adapter
	<b>SG 4963</b> Rod ø 6 mm
	<b>SG 4965</b> End stop flange

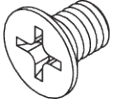




**SG 4972**

*Installation plate*

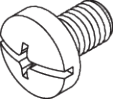
---



**SG 10502**

*Countersunk head screw M4x6*

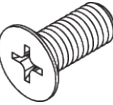
---



**SG 10504**

*Pan head screw Freedrive M5x8*

---



**SG 10508**

*Countersunk head screw M5x12*

---





