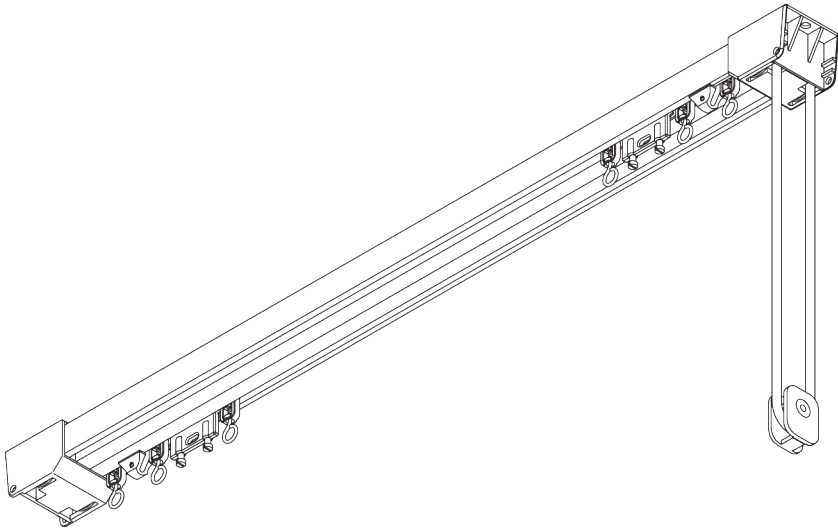
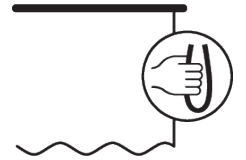


SG 6370



PRODUCT INFORMATION

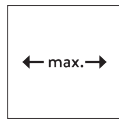
- **Operation:** cord
- **Range:** L
- **Fitting:** ceiling, wall
- **Colours:** anodised aluminum, special colours possible
- **Fabrics:** refer to Silent Gliss fabric collection

Features:

- Bendable

SYSTEM SPECIFICATIONS

A. SYSTEM DIMENSIONS



15 m



66 kg

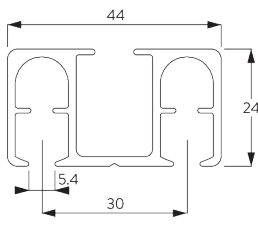
Max. curtain weight -
roller SG 6098 /
SG 6094

| | 2 m | 4 m | 6 m | 8 m | 10 m | 12 m | 15 m |
|--|-----|-----|-----|-----|------|------|------|
| | 62 | 60 | 58 | 56 | 54 | 50 | 46 |
| | 66 | 64 | 62 | 60 | 58 | 55 | 50 |
| | 46 | 43 | 40 | 37 | 34 | 30 | 25 |
| | 50 | 47 | 44 | 41 | 38 | 35 | 30 |
| | 36 | 33 | 30 | 27 | 24 | 22 | 18 |
| | 44 | 40 | 36 | 33 | 30 | 28 | 22 |
| | 24 | 19 | 14 | 5 | 4 | - | - |
| | 27 | 23 | 19 | 10 | 9 | - | - |

(kg max.)

B. PROFILE

Profile and bending
information

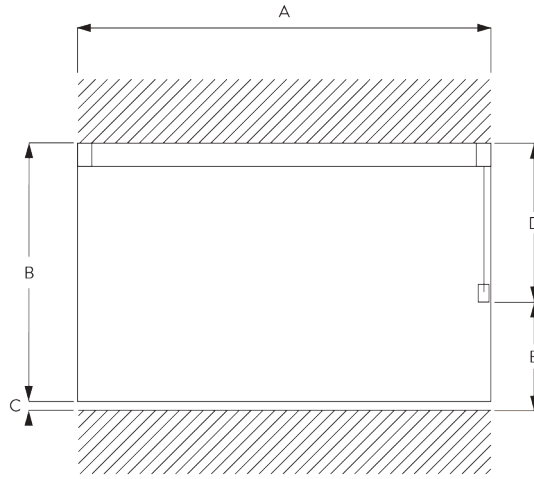


SG 6371

Profile



**C. HOW TO
MEASURE**



- A: System width
- B: System height
- C: Distance between floor and fabric
- D: Cord height
- E: Safety Retainer SG 10731 min. 150 cm above floor

**D. SPECIFICATION
TEXT**

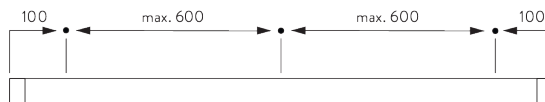
Silent Gliss SG 6370 Heavy Duty Cord Operated Curtain Track System. Comprises aluminium profile SG 6371 supplied made to measure in silver anodised finish with roller gliders SG 6098 at 10/m and cord SG 6070. Top fixed through profile at 500mm to 800mm centres and at end pieces. Compliant to Child Safety legislation EN 13120.

FITTING

**A. FITTING
INFORMATION**

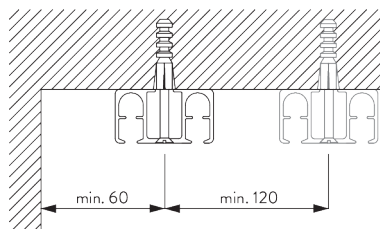
For detailed fitting information, visit the Silent Gliss website.

Fixing points



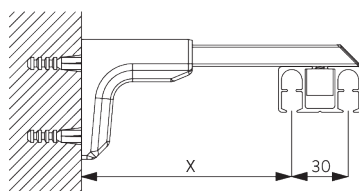
B. CEILING FITTING

Direct fitting



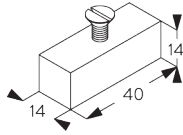
C. WALL FITTING

Smart Fix



| Smart Fix | X mm |
|-----------|---------|
| SG 11154 | 87-115 |
| SG 11155 | 117-145 |
| SG 11156 | 167-195 |

Universal Smart Fix SG 11154 - SG 11156 and nut SG 6369:
Screw SG 11157 (M5x20) needed.



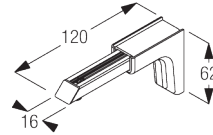
SG 6369

Nut



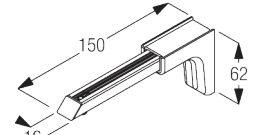
SG 11157

Pan head screw with flange
M5x20



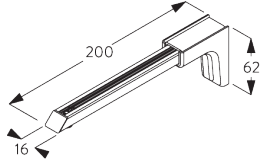
SG 11154

Universal Smart Fix 120 mm



SG 11155

Universal Smart Fix 150 mm



SG 11156

Universal Smart Fix 200 mm

GENERAL NOTES

Dimensions

- Measurements are in mm except where indicated.
- Max. kg relates to fabric incl. accessories.
- Stack size depends on curtain make-up and fabric thickness.
- Distance between gliders max. 80 mm / distance between rollers max. 100 mm.
- Recommended distance floor / fabric: 20 mm.
- In order to determine system height (B), the smallest room height must be taken into account.
- Full functionality may be affected if the curtain touches the profile.

Fitting




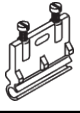
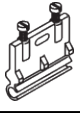

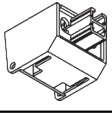
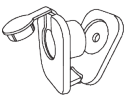
- Installation by qualified fitter only.
- Number of brackets and fitting positions / fixing points vary depending on fitting surface, system weight, fabric make-up, screw / fixing type and obstacles.
- Qualified fitter must use appropriate screws / fixings for each situation.
- Profile lip if applicable to be installed to room side.

Child Safety




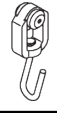
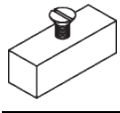
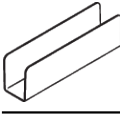
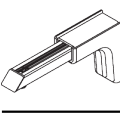
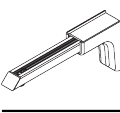
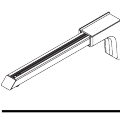
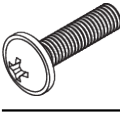
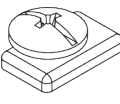
- All relevant Silent Gliss systems correspond to child safety EN 13120.
- All parties involved must comply with EN 13120.

PARTS

A. STANDARD PARTS

| | |
|---|--|
|  | SG 6070 Cord ø 6 mm |
|  | SG 6086 Spring stop |
|  | SG 6098 Roller |
|  | SG 6214 Pilot runner |
|  | SG 6227 Pilot runner |
|  | SG 6371 Profile |
|  | SG 6377 Cord guide set |
|  | SG 10731 Child safety retainer set |

B. OPTIONAL PARTS

| | |
|---|---|
|  | SG 3582 Hook |
|  | SG 3599 Hook |
|  | SG 6053 Spring stop |
|  | SG 6094 Roller |
|  | SG 6369 Nut |
|  | SG 6376 Connection bridge |
|  | SG 11154 Universal Smart Fix 120 mm |
|  | SG 11155 Universal Smart Fix 150 mm |
|  | SG 11156 Universal Smart Fix 200 mm |
|  | SG 11157 Pan head screw with flange M5x20 |
|  | SG 11295 End stop |

